

PRUITT FLOWLINE ISOLATION VALVE

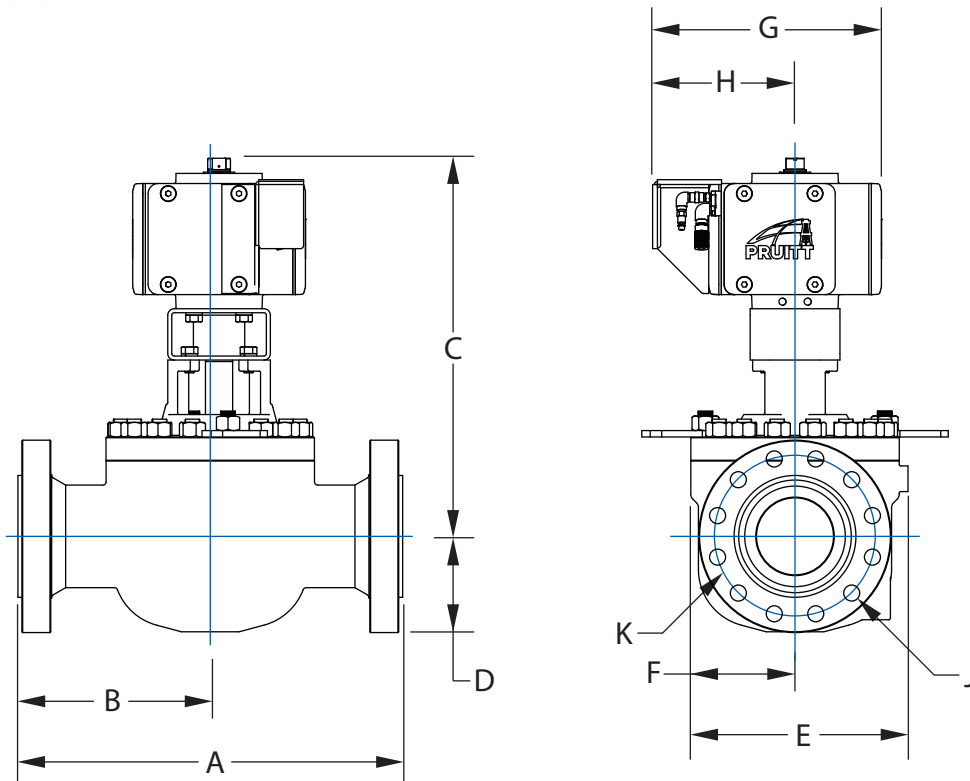


The Pruitt Flowline Isolation Valve is essential during Managed Pressure Drilling, Under Balanced Drilling, or any other operation where the control of annulus returns from the wellbore is necessary. Pruitt's Flowline Isolation Valves are available with pneumatic or manual actuators.

FEATURES & BENEFITS

- Carbon Steel Body
- Viton Seals
- Nylon Seat

6" FLOWLINE ISOLATION VALVE



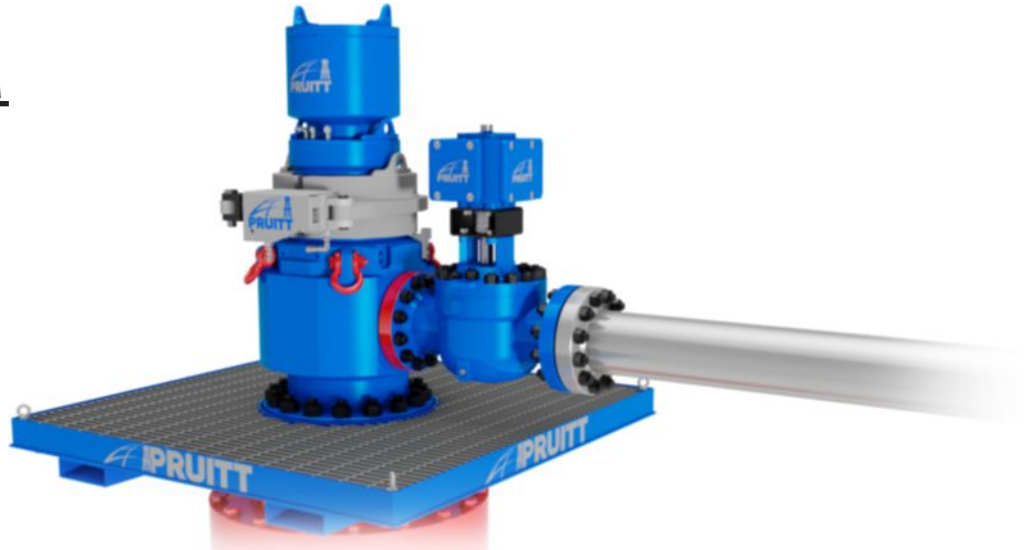
BORE / CLASS	PRESSURE	A	B	C	D	E	F	G	H	J	K
6" - ANSI 900	2250 PSI	30.0	15.0	29.5	7.50	16.9	8.1	13.5	6.73	1.25 DIA. X 12	12.5



PRUITT ACCESSORIES

CATCHPAN / RCD WORK PLATFORM

The Catchpan / RCD Work Platform provides a sturdy, secure work platform while containing spillage from above. Installed atop the Annular BOP, the Catchpan / RCD Work Platform works in conjunction with our RCD Bowl and requires no additional mounting hardware. The Catchpan / RCD Platform is compatible with most 11"-5M or 13-5/8"-5M Annular BOPs.



PRCD 3000 IN HIGH PRESSURE BOWL WITH HYDRAULIC CLAMP. SHOWN WITH 13-5/8"-5M MOUNTING FLANGE, 7-1/16"-5M STUDED OUTLET, 6" FLOWLINE ISOLATION VALVE, AND OPTIONAL CATCHPAN / WORK PLATFORM

SNUBBING ADAPTER

When snubbing operations are required, simply retrieve the RCD Bearing and in its place, install the Pruitt Snubbing Adapter, thus reducing the time rig crews are required to work on a shut-in BOP.

CASING STRIPPER

Replace the RCD Bearing with the Casing Stripper when running casing. The Casing Stripper is especially useful in containing cement or drilling fluid returning to the surface. Sizes of the Casing Stripper range from 4-1/2" to 18-5/8".

PIPE WIPER BOX

While tripping out of the hole, the Pruitt Pipe Wiper will contain drilling mud in the wellbore.

RETRIEVAL SUB

A Retrieval Sub can be used to retrieve the RCD Bearing without personnel required beneath the rig floor. When used with Pruitt's PRCD 508-G, a significant amount of time can be saved.

CONTACT INFORMATION

9700 AIRE CIRCLE FORT SMITH, AR 72916

+1.479.646.1641

sales@pruitt.com



www.pruitt.com